

FOCUS TRAYSEALING MACHINES



ENGLISH 



**IP 66
HYGIENIC
DESIGN**



COMPACT



**SMALL
COMPANY**



**36
MONTHS
GUARANTEE**



**TOOLS
FREE**



**STAINLESS
STEEL**



**USER
FRIENDLY**



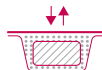
Types of packaging



SEALING
ONLY



SKIN



MAP

Packaging products



FRESH
MEATS



COLD
MEATS



SLICED



FISH



CHEESE AND
DAIRY PRODUCTS



READY
MEALS



FRUITS
AND
VEGETABLES



FRESH
NOODLES



BAKING AND
CONFECTIONERY
PRODUCTS



DRY
FRUITS
AND
SNACKS

Focus: small and big performances

With its compact dimensions, the automatic traysealing machine FOCUS was conceived for the production of perfect packages complying with the highest quality standards. Dedicated to small companies that package food and medical products, and consumer goods, with the quality standards of a machine designed for large scale productions. Stainless steel structure aisi 304, electrical motor and infeed belt with "step by step" run system. Multiple way trays layout in the mould. Pneumatic system of sealing mould lifting. Control and management with 7" touch screen control panel. User applications: sealing, skin with or without edge and MAP.

FOCUS TRAYSEALING MACHINES

STRUCTURE AND DETAILS

Made in stainless steel to endure the hardest production environments and the most intense stresses. Aluminum inserts with anticorrosion and wear hard anodization treatment (anodic hard oxidation 40 µm).

WASHING AND SANITATION IN PRODUCTION ENVIRONMENTS

Designed to endure intense washing cycles and frequent sanitations with IP 66 protection level. Fits all production environments and all sanitation treatments.

FLEXIBLE AND VERSATILE IN MANAGEMENT AND FORMAT CHANGES

Fast management and format change without need of tools (tools free) and integration with other elements composing a packaging line.

GUARANTEE AND RELIABILITY

Complies with the highest quality standard both in terms of structure and of components, to the extent of having as many as 36 MONTHS GUARANTEE of standard guarantee.

AFTER SALE

Customer care at the international level for technical assistance, spare parts, complete revisions and support for the study of new packages or modifications to existing machines. System for the connection and monitoring of the machine with internet in protected network VPN.

ERGONOMIC AND USER FRIENDLY

Designed ergonomically guaranteeing wide range for the management of the reel and mould as well as the maintenance.

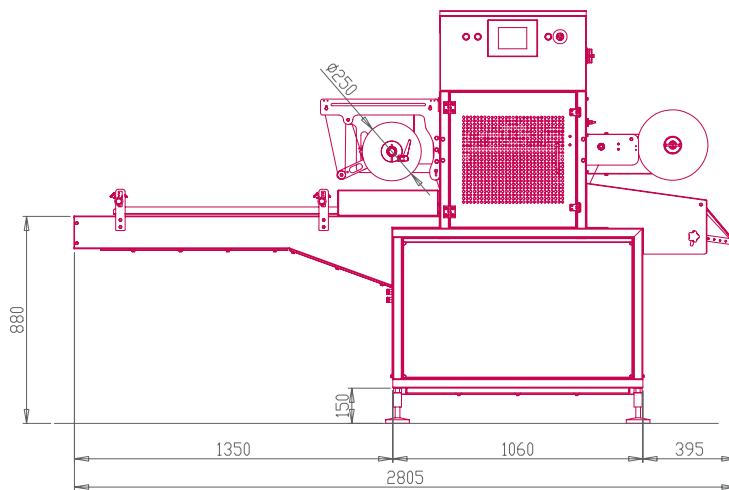
HMI MANAGEMENT INTERFACE

Easy to control thanks to a touch screen colour control panel, run by a HMI graphically intuitive and understandable at all control panel levels. Developed in Windows CE environment on SIEMENS SIMATIC systems.

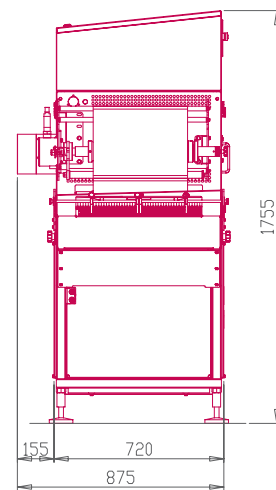
ACCESSORIES

Oxygen analyzer, gas mixer, vacuum pumps, printer, trolley for moulds, tray warehouse, trays alignment system cover placing system (Easy Cap).

Dimensions



Technical characteristics



Mould and formats

Machine dimensions	2804 X 903 X 1755
Loading area	920 mm
Loading area height	882 (± 50 mm)
Machine weight (vacuum pump excluded)	approx. 600 Kg
Control panel height	1400 mm
Used materials	STAINLESS steel Aisi 304, Anodized aluminium
Sealing area (max. package)	375x264 mm
Tray max. height	100 mm
Sealing film reel max. diameter	250 mm
Sealing film core diameter	3" (70 ÷ 76 mm)
Sealing film max. width	385 mm
Installed power (pumps excluded)	3 kW - 440 V - 50/60 Hz - 3P+N+GND
Protection degree IP / NEMA	IP 66 / NEMA 4
Pneumatic feeding	220 NI / min
"Only sealing" production capacity	up to 14 cycles / min.
"Map" production capacity	up to 7 cycles / min.
"Skin" production capacity	up to 5 cycles / min.
Package production capacity (example)	more than 100 / min.
Electrical components	Siemens, Toshiba, Minimotor, ABB, Sick, Phoenix Contact
Pneumatic components	Festo, Parker
Vacuum system components	Ormal, Valvaut, Maros Engineering, Trelleborg

