


VisionXL

TRAYSEALING MACHINES



ENGLISH 

							
IP 66 HYGIENIC DESIGN	MEDIUM LARGE COMPANY	MEDIUM HIGH PRODUCTIVITY	36 MONTHS GUARANTEE	TOOLS FREE	STAINLESS STEEL	USER FRIENDLY	INTEGRATION



Types of packaging



Packaging products



VisionXL: no-limits production

The automatic traysealing machine VISIONXL was conceived for heavy duty and integration in intermediate complexity packaging lines. It expresses its potentialities also in the interaction with other elements (automatic dosing system, multihead, systems of automatic loading). It meets the production needs of medium-large company for the packaging of food and medical products and consumer goods. Stainless steel structure aisi 304, electrical motor and infeed and outfeed belt with tracks and "continuous" run. Pushers with electrical and mechanical movement for single way layout of trays in the mould. Pneumatic lifting system of mould and mechanical or electrical levers. Control and management with 7" control panel. User applications: sealing, skin with or without edge and MAP.

VisionXL

TRAYSEALING MACHINES

STRUCTURE AND DETAILS

Made in stainless steel to endure the hardest production environments and the most intense stresses. Aluminum inserts with anticorrosion and wear hard anodization treatment (anodic hard oxidation 40 µm).

WASHING AND SANITATION IN PRODUCTION ENVIRONMENTS

Designed to endure intense washing cycles and frequent sanitations with IP 66 protection level. Fits all production environments and all sanitation treatments.

FLEXIBLE AND VERSATILE IN MANAGEMENT AND FORMAT CHANGES

Fast management and format change without need of tools (tools free) and integration with other elements composing a packaging line.

GUARANTEE AND RELIABILITY

Complies with the highest quality standard both in terms of structure and of components, to the extent of having as many as 36 MONTHS GUARANTEE of standard guarantee.

AFTER SALE

Customer care at the international level for technical assistance, spare parts, complete revisions and support for the study of new packages or modifications to existing machines. System for the connection and monitoring of the machine with internet in protected network VPN.

ERGONOMIC AND USER FRIENDLY

Designed ergonomically guaranteeing wide range for the management of the format and mould as well as the maintenance.

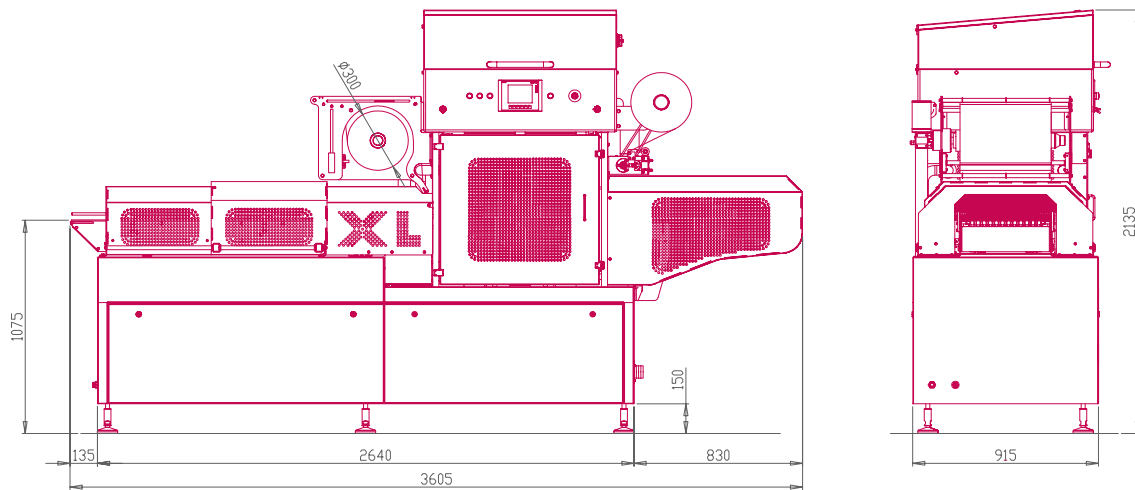
HMI MANAGEMENT INTERFACE

Easy to control thanks to a touch screen colour control panel, run by a HMI graphically intuitive and understandable at all control panel levels. Developed in Windows CE environment on SIEMENS SIMATIC systems.

ACCESSORIES

Oxygen analyzer, gas mixer, vacuum pumps, printer, trolley for moulds, tray warehouse, infeed belt with rolling shutter or tracks, conveyor with motordrum stainless steel aisi 304, cover placing system (Easy Cap).

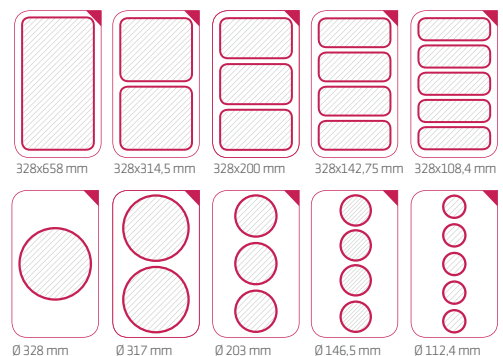
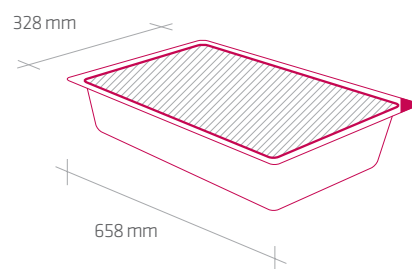
Dimensions



Technical characteristics

Machine dimensions	3605 X 974 X 2107
Accumulation belt	1500 mm
Loading area	from 1500 - 4000 mm with step of 500 mm
Loading area height	1050 (± 50 mm)
Machine weight (vacuum pump excluded)	approx. 1100 Kg
Control panel height	1700 mm
Used materials	STAINLESS steel Aisi 304, Anodized aluminium
Sealing area (max. package)	662x332 mm
Tray max. height	140 mm with 1-cavity mould 100 mm with multiple cavities mould
Sealing film reel max. diameter	400 mm
Sealing film core diameter	3" (70 ± 76 mm)
Sealing film max. width	400 mm
Installed power (pumps excluded)	4 kW - 440 V - 50/60 Hz - 3P+N+GND
Protection degree IP / NEMA	IP 66 / NEMA 4
Pneumatic feeding	270 NI/min
"Only sealing" production capacity	up to 20 cycles / min.
"Map" production capacity	up to 12 cycles / min.
"Skin" production capacity	up to 8 cycles / min.
Package production capacity (example)	more than 100 / min.
Electrical components	Siemens, Toshiba, Minimotor, ABB, Sick, Phoenix Contact
Pneumatic components	Festo, Parker
Vacuum system components	Omal, Valvaut, Maros Engineering, Trelleborg

Mould and formats



The above-mentioned values, specifically as warranty and productivity, are indicative and can be modified at any time at the discretion of the company.